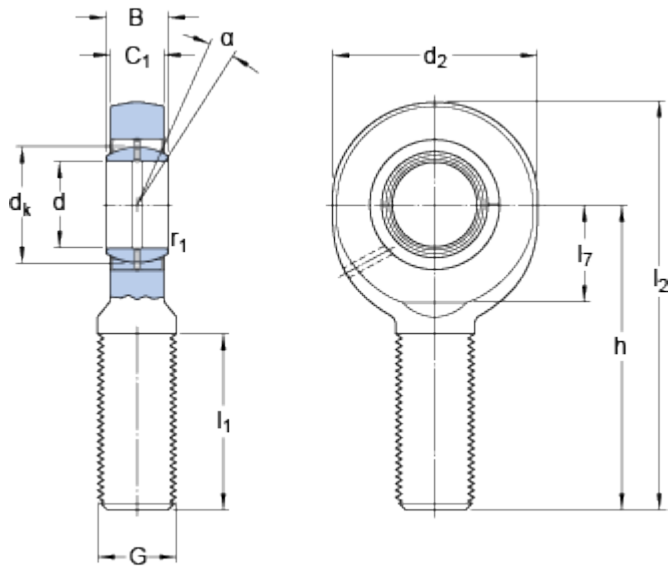


SA 20 ES

Dimensions



d		20	mm
d ₂	max.	54	mm
B		16	mm
G		M 20x1.5	
C ₁	max.	13.5	mm
h		78	mm
α		9	°
d _k		29	mm
l ₁	min.	43	mm
l ₂	max.	107	mm
l ₇	min.	24	mm
r ₁	min.	0.3	mm

Calculation data

Basic dynamic load rating	C	30	kN
Basic static load rating	C ₀	42.5	kN
Specific dynamic load factor	K	100	N/mm ²
Material constant	K _M	330	

Mass

Mass rod end		0.32	kg
--------------	--	------	----